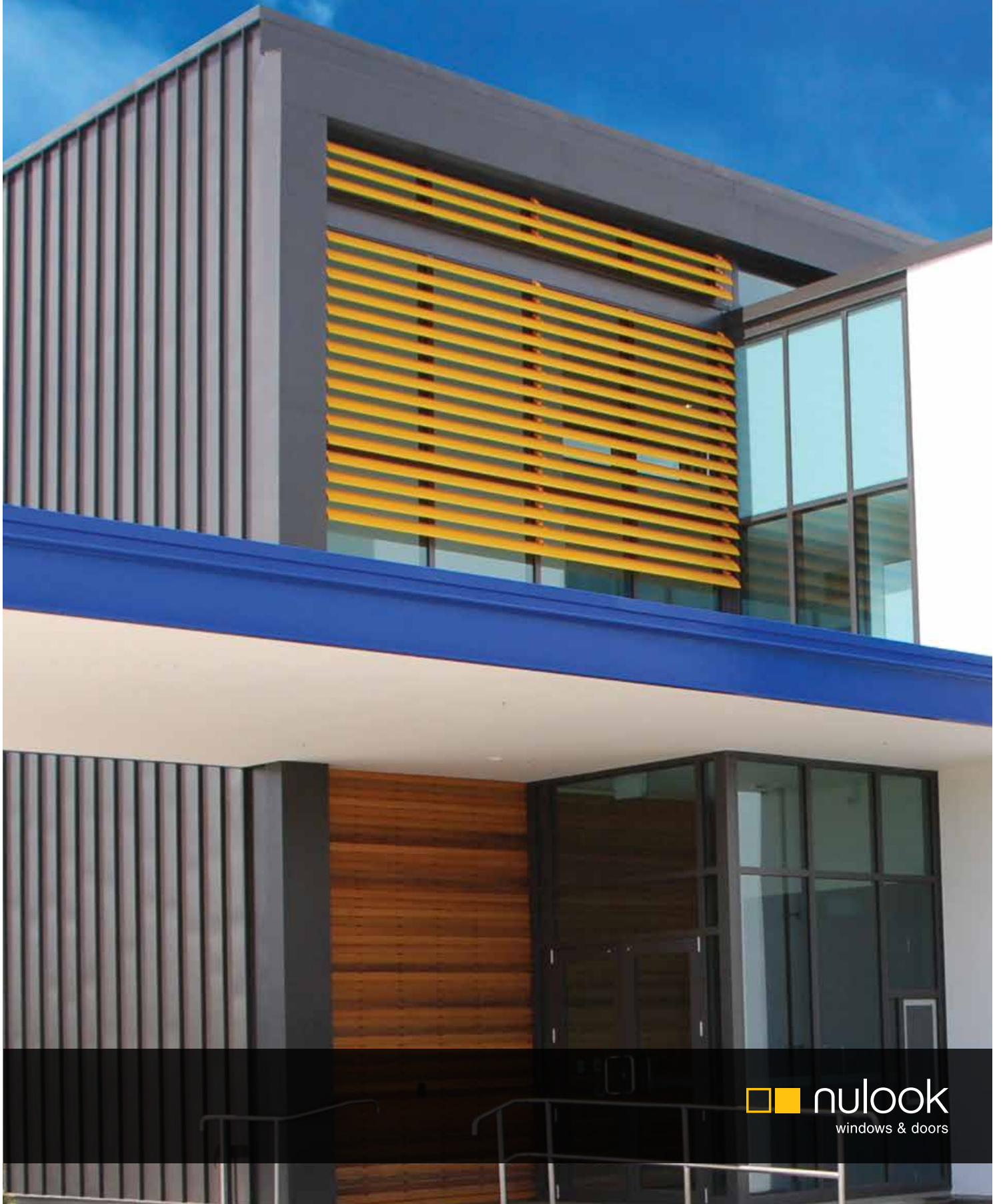


HIGHBROOK LOUVRE™



HIGHBROOKLOUVRE™

Today's buildings are designed with consideration for environmental, functional and occupational features. The resulting designs often have requirements for partial or full screening of building facades.

BENEFITS INCLUDE

- Protection from the sun, rain and wind
- Increased privacy
- Enhances visual building design

IMPROVED PROTECTION FROM THE ELEMENTS

The HighbrookLouvre™ can contribute toward the energy efficient building design, acting as sunshades in exposed environments. They can add to the buildings protection as a partial rain screen and provide shelter by deflecting strong winds.

INCREASED PRIVACY

Louvres can provide privacy for inside and outside spaces helping to enhance the building design. They offer an effective means of integration or separation of interior and exterior spaces.

STYLE AND FUNCTIONALITY

The HighbrookLouvre™ enhances the appearance of commercial and residential exteriors. Strong vertical, horizontal, or sloped profiles can be achieved simply with coverage of selected building areas or mass use of louvres to support desired functional and aesthetic benefits.

FLEXIBLE DESIGN

Louvres are available in multiple rectangular and aerofoil configuration options and utilises an innovative mounting system to achieve the desired style and functionality.

Choose from a wide range of powder coated and standard anodised colours.



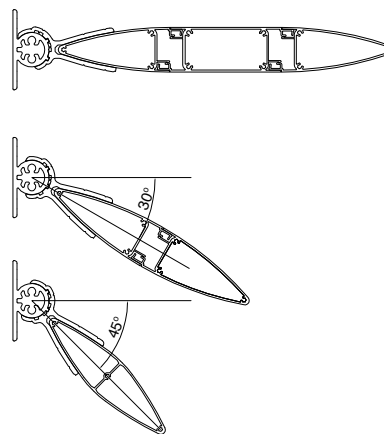
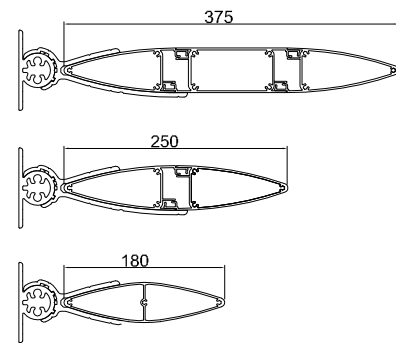
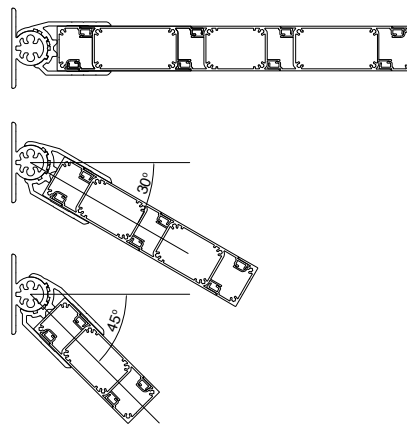
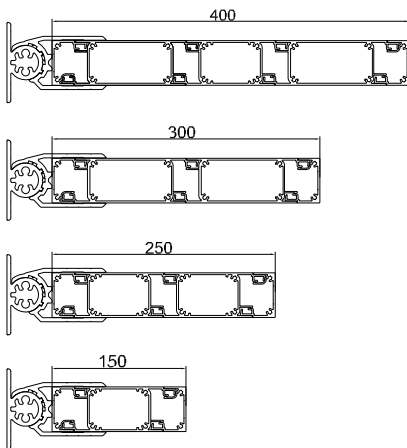


DESIGN FEATURES

NALCO offers a design consulting service for integration with building facades. Call now for a free quote on 0508 800 755.

- Aerofoil and rectangular design options
- Multiple sizing options
- Use in vertical and horizontal applications
- Suited to commercial and residential projects

For example:



NULOOK QUALITY ASSURANCE

STANDARDS

Nulook Windows and Doors are tested in an Internationally Accredited New Zealand laboratory, using an independent testing engineer and comply with the New Zealand Standards – NZS4211:1985 Specification for Performance of Windows and NZS3504:1979 Specification for Aluminium Windows.

PRODUCT PERFORMANCE

Nulook products are tested in accordance with New Zealand industry standards.

WARRANTY

All Nulook Windows and Doors are backed by a minimum five year factory warranty.

For more information on Nulook products and services, call your local Nulook fabricator or
Freephone: 0508 800 755 or
email: info@nulook.co.nz
www.nulook.co.nz