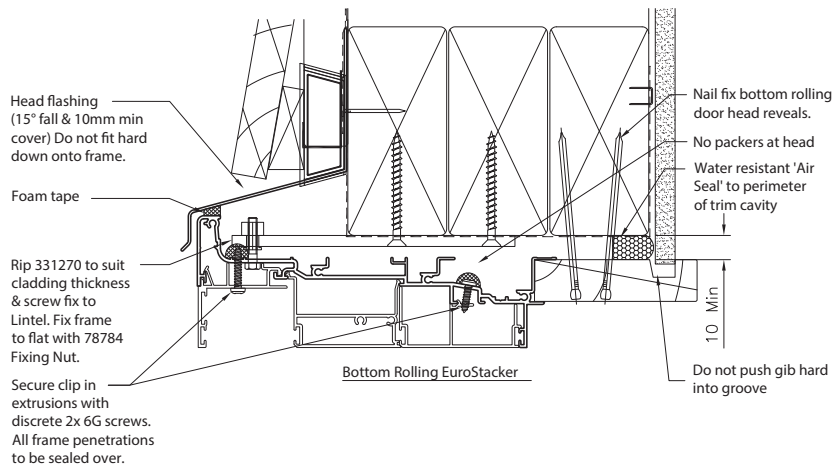


# Eurostacker® Door Cavity Construction Installation Details

## EUROSTACKER® WINDOW & DOOR SYSTEMS

### EUROSTACKER® - HEAD DETAIL



#### Method:

- 1) Screw flat 331270 flush to underside of lintel with correct forward overhang.
- 2) Fix side flats either to jamb frames or jamb studwork as per notes.
- 3) Fix selected WANZ support bar in place and secure required packers.
- 4) Position unit into trimmed opening and 'tack off' through liners.
- 5) Screw fix off remainder of unit through reveals as detailed.

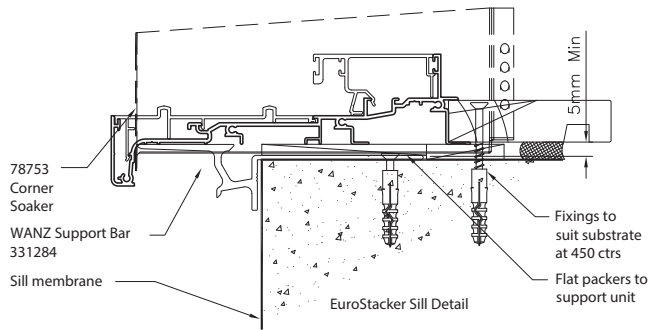
#### Note:

Use 331270 fixing flat support bar as shown when the building cladding is already in place prior to the frame being inserted.

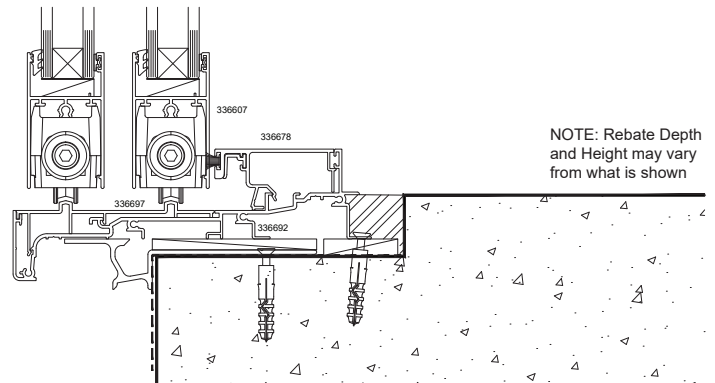
Refer the weather tightness details on the appropriate claddings page in the WANZ Manual.

Some thinner cavity claddings may need the wall framing packed to fit the long reach of the stacker door frame into the overall wall thickness.

### EUROSTACKER® - SILL DETAIL



### EUROSTACKER® - REBATED SILL DETAIL



### EUROSTACKER® - JAMB DETAIL

